

GEAUGA COUNTY GEODETIC SURVEY

MONUMENT RECORD

STATION: Mon # 574

TOWNSHIP: Auburn

STATE PLANE COORDINATE SYSTEM:

OHIO NORTH ZONE

HORIZONTAL CONTROL DATA

VERTICAL CONTROL DATA

TYPE: _____

TYPE: _____

ORDER: _____

ORDER: _____

LATITUDE: _____ LONGITUDE: _____

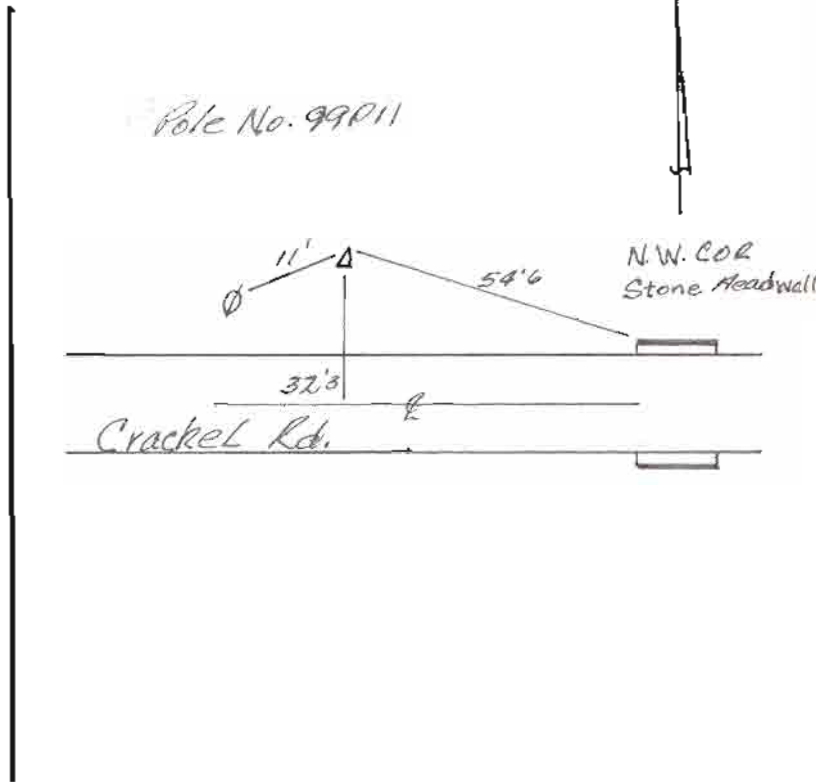
ELEVATION (FEET):
1159.44

Y (NORTH) (FEET): _____ X (EAST) (FEET): _____

ELEVATION (METERS): _____

Y (NORTH) (METERS): _____ X (EAST) (METERS): _____

DESCRIPTION:



THE MONUMENTS SET BY THIS SURVEY ARE 2.5" DIAMETER BRASS PLATES SET IN CONCRETE POSTS. THE PLATE READS, GEAUGA COUNTY CONTROL SURVEY. THE MONUMENTS SHOULD ACTUATE MAGNETIC LOCATOR DEVICES.

RECOVERY NOTES: